



Ultra Lightweight Family



Live without limits

You want cutting-edge wheelchair technology to keep pace with the demands of your active life. For over 30 years, Quickie has listened, researched, tested and delivered. Through state-of-the-art design, superior performance and a customized build, Quickie empowers you to live without limits.



Ultra Lightweight Family

Table of Contents

Rigid Family Page

Quickie Q7 Next GEN 3

Quickie GT 4

Quickie QRi
Quickie GP Series 5

Folding Family

Quickie 2 6

Quickie 2 Lite 6

Quickie QXi 7

Ultra Lightweight

Coding & Justification 8

Complement Your Quickie –
JAY® Cushions and Backs 8



Why Quickie?

You drive our design. Quickie wheelchairs are designed for you and by you. In development, we consider how you interact with your wheelchair to maintain maximum efficiency, performance, fit and style. This results in the creation of products that are innovative, durable, versatile and customizable. That is the Quickie Advantage.

Quickie Advantage

Innovation. We are continually developing new products, improving our flagship products and offering new options and solutions to enhance your lifestyle.

Quality and Durability. Quickie wheelchairs undergo rigorous testing that surpasses industry standards, so you can be confident that your product will hold up and perform throughout its lifetime.

Versatility. We offer a comprehensive portfolio of products to meet a wide range of individual lifestyles and clinical needs. Once you choose a Quickie, our goal is that it continues to be the right chair for you. We offer maximum adjustability in our designs, interchangeable parts and the True Fit Growth Program* to help accommodate changes in condition, environment or lifestyle that you may experience.

Built-4-Me. Our Built-4-Me Team is dedicated to creating product customizations beyond what is listed on our product order forms. Experts in the engineering and manufacturing of custom rehab products will listen to your specific requests and build a chair as individual as your fingerprint!

**Available on select Quickie wheelchairs*



The lightest wheelchair we've ever manufactured, the Quickie® Q7™ NextGen combines cutting edge ultra lightweight wheelchair technology, ergonomic design, and premium materials.

QUICKIE Q7™ Next GEN



7000 Series Aerospace Aluminum

- Fully loaded configuration weighs as low as 13.3 lbs!
- Ovalized tubing in frame, axle plate, and caster housing decrease flex for an incredibly strong, rigid ride
- Increased frame bend strength improves propulsion efficiency



ShapeLoc Technology is the process of converting an aluminum frame into stronger, more rigid T6 Aluminum. The open frame is fabricated using 7000 Series Aluminum then heat treated to convert the metal to T6 Aluminum.

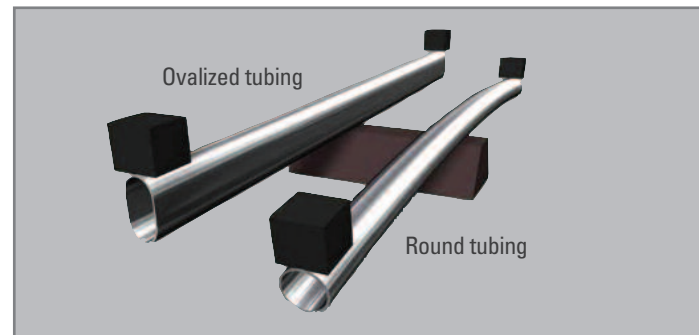
The Advantage: Stronger metal + thinner tube walls = an unbelievably lightweight chair!

Performance Geometry

- Custom frame lengths provide individualized maneuverability and stability
- Three caster wheel placement options ensure optimal performance

Adjustable and Active Rigid Frames

- **Adjustable:** Quick back angle adjustments accommodate changing environments and conditions
- **Active Rigid:** Ideal for those who know exactly what they need. A fully rigid backrest and axle plate reduce the overall weight by an average of one pound and transfer energy directly from your arms to the axles for the most efficient propulsion.



SPECIFICATIONS	Q7 Adjustable	Q7 Active Rigid
HCPCS Code	K0005	K0005
Frame Style	Rigid - Open	Rigid - Open
Lowest Possible Weight	14.1 lbs.	13.3 lbs.
Weight Capacity	265 lbs.	265 lbs.
Seat Widths	12" to 20"	12" to 20"
Seat Depths	12" to 20"	12" to 20"
Back Angle Adjustment	Fore (-)27° to Aft (+)8°	Fixed
Front STFH	16" to 21"	16" to 21"
Rear STFH	13" to 20"	13" to 20"
Frame Angles	75°, 80°, 85°	75°, 80°, 85°

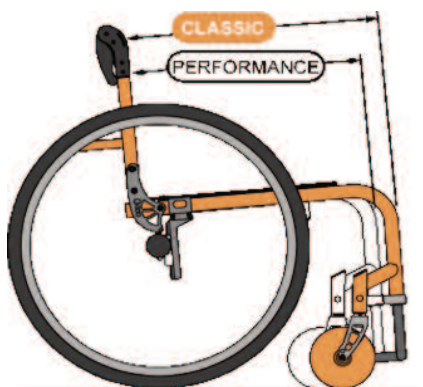
RIGID

The Quickie® GT™ ultra lightweight wheelchair weathers every season with year-round performance and lifestyle options.

QUICKIE GT™

Classic and Performance Frame Options

- **Classic:** Traditional frame length for maximum stability
- **Performance:** Shortened frame length for increased responsiveness
- Quickie Release wheels and Folding Lock Down Angle Adjustable Back for easy transport



Four Seasons Ingenuity

- XTR Suspension
- Frog Legs suspension caster forks
- Multiple rear wheel and tire options for superior performance all year round



Quickie GT



Bold Accessories

- Colored anodized caster forks and axle plates
- Natural-Fit™ handrims
- Quickie® Xtender™ power assist wheels



Anodized caster forks

SPECIFICATIONS	GT
HCPCS Code	K0005
Frame Style	Rigid - Open
Overall Weight	19.6 lbs.
Weight Capacity	265 lbs.
Seat Widths	12" to 20"
Seat Depths	12" to 22"
Back Angle Adjustment	Fore (-) 17° to Aft (+) 8°
Front STFH	16" to 21"
Rear STFH	13" to 20"
Frame Angles	75°, 80°, 85°

RIGID

The Quickie® QRi™ is an ultra lightweight rigid wheelchair with a strong open frame design perfect for your on-the-go lifestyle.

QUICKIE QRi™

Commuter-Friendly Design

- Ultra lightweight and durable aluminum frame with a 265 lb. weight capacity
- WC-19 Transit Approved up to 265 lbs.
- Open frame and fluid caster housing design for a stylish look
- Small footprint for maneuverability and easy transport

Quickie QRi



SPECIFICATIONS	QRi
HCPCS Code	K0005
Frame Style	Rigid - Open
Overall Weight	22 lbs.
Weight Capacity	265 lbs.
Seat Widths	12" to 20"
Seat Depths	12" to 20"
Back Angle Adjustment	Fore (-) 17° to Aft (+) -8°
Front STFH	15" to 20"
Rear STFH	14" to 20"
Frame Angles	75°, 80°, 85°

Comfortable Fit

- Standard 0" or 1" frame inset options
- 0.5" – 3" of Center-of-Gravity axle plate adjustment
- 70°, 80°, and 85° front frame angle options

Quickie's Top Options

- Folding Lock Down Angle Adjustable Back
- Wide range of seat widths, seat depths, armrests, wheels, tires, and handrims

QUICKIE GP™ Series

As one of the first ultra lightweight rigid frame wheelchairs created over 25 years ago, the Quickie® GP™ is a true original.

Proven Performance

- One-piece, box frame construction delivers an unmatched rigid feel
- Multiple front frame options
 - Standard
 - Tapered for increased maneuverability
 - Swing-Away for easy transfers or option of elevating legrests
- Optional Quickie Performance wheels and up to 12° of camber for excellent sports performance
- Optional Quickie Xtender power assist wheels

Quickie GPV



SPECIFICATIONS	GP	GPV	GPSA
HCPCS Code	K0005	K0005	K0005
Frame Style	Rigid - Traditional	Rigid - Traditional	Rigid - Traditional
Overall Weight	23.75 lbs.	23.6 lbs.	24.5 lbs.
Weight Capacity	250 lbs.	250 lbs.	250 lbs.
Seat Widths	12" to 22"	12" to 22"	12" to 20"
Seat Depths	12" to 22"	12" to 22"	12" to 22"
Back Angle Adjustment	Fore (-) 8° to- Aft (+) 4°	Fore (-) 8° to- Aft (+) 4°	Fore (-) 8° to- Aft (+) 4°
Front STFH	15.5" to 23"	15.5" to 23"	16.5" to 20.5"
Rear STFH	14.5" to 20.5"	14.5" to 20.5"	16" to 20.5"
Frame Angles	60°, 70°, 75°, 80°	60°, 70°, 75°, 80°	Swing-Away

RIGID

Versatile, modular, and available in 64,000 configurations, the Quickie 2 has been the industry's favorite ultra lightweight manual chair for over 25 years.

QUICKIE 2 Family

QUICKIE 2

Modular Frame Design

- Multiple front frames and seat rails
- Independent cross brace and rear frame
- Allows for changes in user's condition, function, growth, and/or environment

Option Mix

- Multiple caster, rear wheel, armrest, tire and handrim options
- Depth adjustable and angle adjustable backs
- Optional Quickie Xtender power assist wheels

Q-Fit™ Technology

- Tight fit between components for reduced noise in armrests and side guards
- Rigidity and performance for the life of the product

Quickie 2



QUICKIE 2 LITE

The Quickie 2 Lite is everything you love about the Quickie 2 in a simple and ultra lightweight package.

- Overall standard weight as low as 25.5 lbs.
- Simplified option mix
- Fixed front frame option for rigid performance in a folding frame
- Smooth, contoured and stylish
 - Rounded rear frame
 - Reduced side profile
 - Q-Gusset



Rounded rear frame and Q-Gusset

Quickie 2 Lite



SPECIFICATIONS	Quickie 2	Quickie 2 Lite
HCPCS Code	K0005	K0005
Frame Style	Folding - Traditional	Folding - Open
Overall Weight	29 lbs.	25.5 lbs. (fixed front) 27.8 lbs. (swing away)
Weight Capacity	265 lbs. (Standard) 350 lbs (Heavy Duty)	265 lbs.
Seat Widths	12" to 22"	14" to 20"
Seat Depths	12" to 22"	14" to 20"
Back Angle Adjustment	Fore (-) 3° to Aft (+) 15°	Fore (-) 4° to Aft (+) 14°
Front STFH	15"	14.5" to 21"
Rear STFH	13.5"	13" to 19.5"
Frame Angles	Swing-Away	70°, 80°, Swing-Away

FOLDING

The Quickie QXi is a durable, low-maintenance folding frame that is perfect for the person looking for simplicity, longevity, and Quickie's most popular options at the right price.

QUICKIE QXi™

Durable Frame Design

- Ultra lightweight and durable aluminum frame with a 265 lb. weight capacity
- One-piece side frames and three arm cross brace that sits inside frame for a more rigid ride

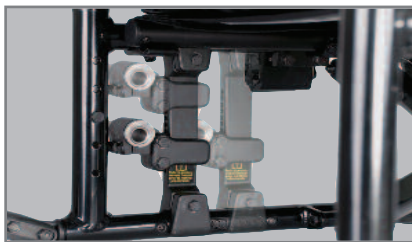
Simple Serviceability

- Most adjustments can be made in less than one minute, using only one tool
 - Center of Gravity (Axle Plate)
 - Seat to Floor Height
 - Camber
 - Axle Spacing
 - Back Height

Simple Option Mix

- Options include the most frequently used armrests, wheels, tires, and seat widths and depths
- Hemi frame that can achieve a 13" seat height with 5" casters
- New Swing-in/Swing-out Hangers with simple footrest adjustments and intuitive release levers
- New Low Profile Dual Post Armrests
- Transit option

Quickie QXi



Adjustable Axle Plate



One-piece side frame

SPECIFICATIONS	QXI
HCPCS Code	K0005
Frame Style	Folding - Traditional
Overall Weight	28.8 lbs.
Weight Capacity	265 lbs.
Seat Widths	14" to 20"
Seat Depths	14" to 20"
Back Angle Adjustment	Fore (-) 3° to Aft (+) 15°
Front STFH	12.5" to 19.5"
Rear STFH	12" to 19"
Frame Angles	Swing-Away

FOLDING

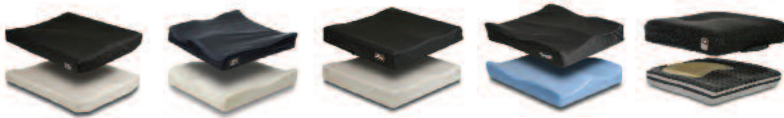
Ultra Lightweight Wheelchair Justification

K0005

- Per Medicare policy, "coverage of an ultra-lightweight wheelchair (K0005) is determined on an individual consideration basis." The primary objective is to rule out all lower level equipment.
- Although not required, a seating evaluation conducted by a clinician experienced in seating & positioning is strongly recommended.
- Include a list of indoor and outdoor Activities of Daily Living (ADLs) and document what specific features the wheelchair base has that are medically needed by the end user.
- Documentation "must include a description of the patient's routine activities. This may include the types of activities the patient frequently encounters and whether the patient is fully independent in the use of the wheelchair. Describe the features of the K0005 base which are needed compared to the K0004 base."

JAY[®] Seating Selection

JAY CUSHIONS



Basic
E2601, E2602

Basic^{PRO}
E2601, E2602

GO™
E2603, E2604

Soft Combi™ P
E2605, E2606

Lite
E2603, E2604,
E2607, E2608

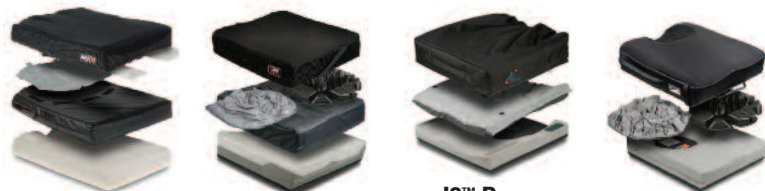


Zip™
E2607

Easy™
E2607, E2608

Ion™
E2607, E2608

Union™
E2607, E2608



X2™
E2622

Fusion™
E2622, E2623

J2™ Deep Contour
E2622, E2623,
E2624, E2625

J3™
E2622, E2623

JAY BACKS



Basic
E2611

GO™
E2611, E2612

Care™
E2615



J2™
E2613

J2™ Deep Contour
E2620

Focus Point
E2620



J3™ Posterior
E2613, E2614

J3™ Posterior & Lateral
& Lateral
E2615

J3™ Posterior & Deep Lateral/Contour
E2620

To learn more about customizing JAY seating products, visit the JAY Your Way product page on www.sunrisemedical.com.